

## OPTIMIX

### 2A 90-280

### 2A 90-380



#### Application

Submersible motor  
 Dry matter content up to 12 %  
 Substrate temperature up to 55°C  
 pH-value 5.5 - 8.2 / optional ss316 pH-value 4.5-8.2

#### Motor

Power: 9.0 kW  
 400 V, 50 Hz, special tension on request  
 Protection class IP 68, up to 10 m submergence  
 PTC thermistors in as overheat protection  
 Own oil circulation, turbine oil

#### Gear

Robust planetary gear,  
 Reduction ratio  $i = 3.83 / 5.25$   
 Own oil circulation, Longlife gear oil  
 Change oil after 10,000 operating hours

#### Bearing

Bearing flange with mechanical seal of SiC/SiC  
 2 tapered roller bearings to absorb the axial forces  
 Drive head with separat oil chamber  
 Longlife Gear oil  
Accessory: POM protection to minimize abrasion

#### Ex-Zone

Authorized for Ex-Zone 2  
 ATEX Classification  $\text{CE Ex II 3G Ex ec h IIA T3 Gc}$

#### Propeller

3-blade high efficiency propeller, dynamically balanced

Optimix 2A	9.0 kW	propeller HD+800	280 rpm
Optimix 2A	9.0 kW	propeller HD+580	380 rpm

ss304, ss304 hardened or ss316

#### Guiding unit

Guide mast support with 4 rollers for smooth height adjustment:  
 for 9 kW: 100 / 120 mm square mast  
 Special sizes on request

#### Corrosion protection

Guiding unit in ss304  
 Optional completely in ss316

#### Cable

Pressed-on cable gland  
 Cable  $7 \times 4 + 4 \times 1.0 \text{ mm}^2$ ,  $\varnothing 20 \text{ mm}$ , shielded  
 Microbe resistant  
 Strain relief 800 N

#### Control box (optional)

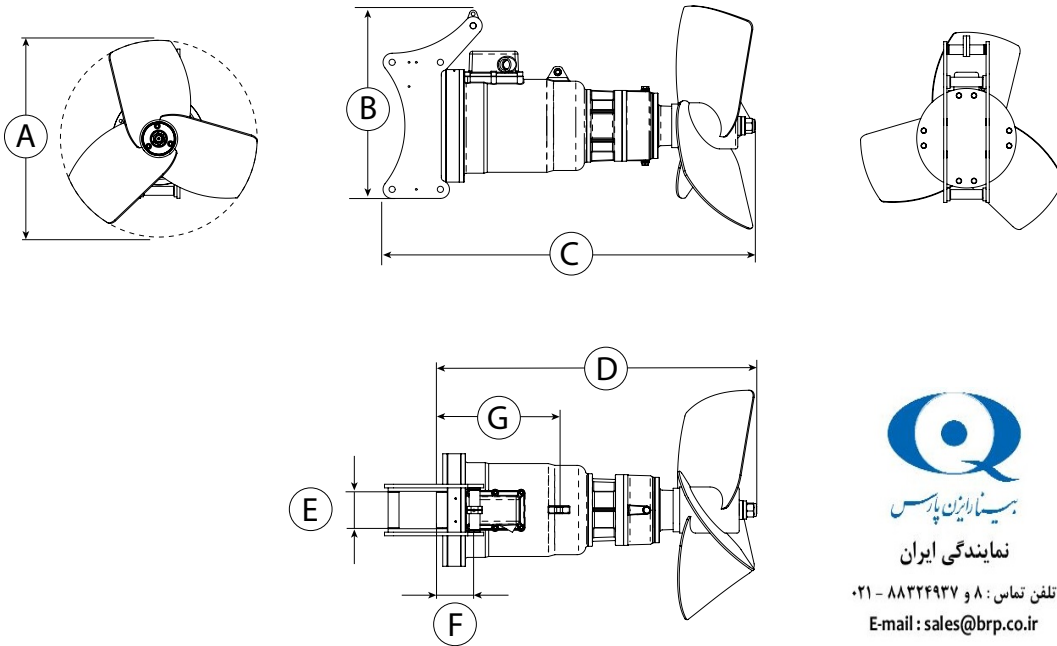
Star-delta switch, soft start or frequency converter



# OPTIMIX

## 2A 90-280

## 2A 90-380



بیستادارین پارس
   
 نمایندگی ایران
   
 تلفن تماس: ۸ و ۸۸۳۲۴۹۳۷ - ۰۲۱
   
 E-mail: sales@brp.co.ir

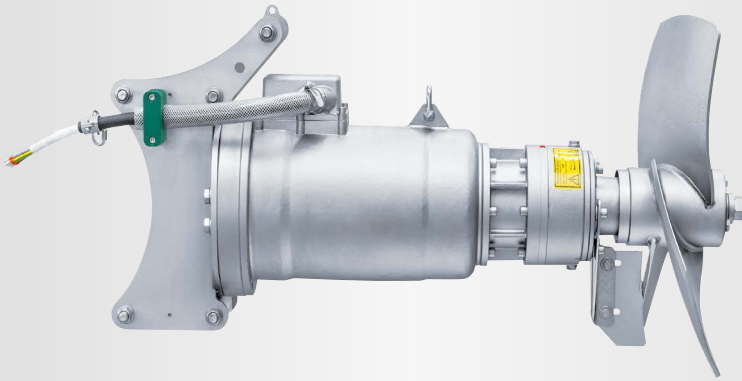
### Dimensions / Weight

Type	A [mm]	B [mm]	C max [mm]	D [mm]	E [mm]	F [mm]	G [mm]	Weight approx. [kg]			
2A 90-280	750	520	1,085	885	100 / 120	105	300	170			
2A 90-380	580	520	1,050	850	100 / 120	105	300	170			

### Technical data

Type	Rated Power [kW]	Rated Voltage [V]	Full load current [A]	Frequency [Hz]	Power factor cos $\phi$	Gear reduction ratio	Propeller speed [rpm]	Propeller diameter [mm]	Axial force [kN]	Flow velocity [m/s] *	Pumping rate [m <sup>3</sup> /min]	Pumping rate [m <sup>3</sup> /h]
2A 90-280	9.0	400	17.7	50	0.83	5.25	280	800	2.8	3.2	94	5.640
2A 90-380	9.0	400	17.7	50	0.83	3.83	380	580	1.9	3.4	51	3.080

Subject to technical changes
   
 \* measured in water and 1.2 m distance



## OPTIMIX

2A 150-280

2A 150-380



### Application

Submersible motor for aggressive media with low pH-values  
 Dry matter content up to 12 %  
 Substrate temperature up to 52°C  
 pH-values 5.5 - 8.2 / optional ss316 pH-values 4.5 - 8.2

### Propeller

3-blade propeller, dynamically balanced

Optimix 2A	15 kW	propeller HD+850	280 rpm
Optimix 2A	15 kW	propeller HD+660	380 rpm

ss304, hardened ss304 or ss316

### Motor

Motor power: 15.0 kW  
 400V, 50Hz, special tensions on request  
 Protection class IP 68, up to 10 m submergence  
 PTC thermistors for thermal protection  
 Separat oil chamber, turbine oil

### Guide mast connection

Guide mast support with 4 rollers for smooth height adjustment:  
 15.0 kW: 100 / 120 / 150 mm square mast  
 Special sizes on request

### Gear

Flange mounted planetary gear  
 Reduction ratio  $i = 5.25$  or  $3.83$   
 Longlife gear oil  
 Change oil after 8,000 operating hours,  
 or after 4,000 operating hours for 2A 150-380

### Bearing

Bearing flange with mechanical seal SiC/SiC  
 2 tapered roller bearings to absorb the axial forces  
 Shaft in hardened steel  
 Separat oil chamber, longlife gear oil  
Accessory: POM protection to minimize abrasion

### Electric Cable

Pressed cable gland, cable standard length 10 m  
 Cable 7 x 4 + 4 x 1 mm<sup>2</sup> Ø 20 mm, shielded  
 Resistant against biomass microbes  
 Strain relief 800 N

### Ex zone

Authorized for Ex-Zone 2  
 CE Ex II 3G Ex ec h IIA T3 Gc

### Corrosion protection

Housing and guiding unit in ss304  
 Optional completely manufactured in ss316

### Control box (optional)

Soft start or frequency converter



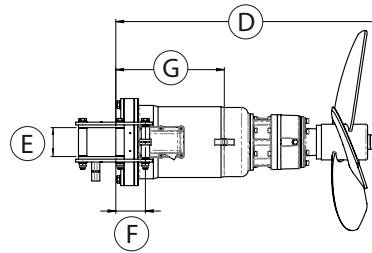
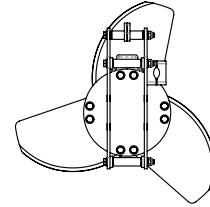
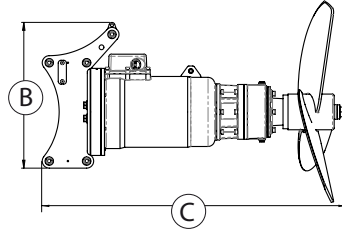
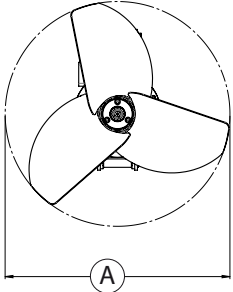
تلفن تماس : ۸ و ۸۸۲۴۹۳۷ - ۰۲۱

E-mail : sales@brp.co.ir

## OPTIMIX

2A 150-280

2A 150-380



بیسارایزن پارس

نماینده گی ایران

تلفن تماس: ۸ و ۰۲۱ - ۸۸۳۲۴۹۳۷

E-mail: sales@brp.co.ir

### Dimensions

Type	A [Ø in mm]	B [mm]	C [mm]	D [mm]	E [mm]	F [mm]	G [mm]	Weight approx. [kg]			
2A 150-280	850	520	1.195	995	100 / 120 / 150	105	385	190			
2A 150-380	660	520	1.160	960	100 / 120 / 150	105	385	190			

### Technical data

Type	Rated Power [kW]	Rated Voltage [V]	Full load current [A]	Frequency [Hz]	Power factor cos φ	Gear reduction ratio	Propeller speed [rpm]	Propeller diameter [mm]	Axial force [kN]	Flow velocity [m/s] *	Pumping rate [m³/min]	Pumping rate [m³/h]
2A 150-280	15.0	400	27	50	0.91	5.25	280	850	4.1	3.6	120	7.190
2A 150-380	15.0	400	27	50	0.91	3.83	380	660	3.1	4.1	81	4.860

Subject to technical changes

\* measured in water and 1.2 m distance