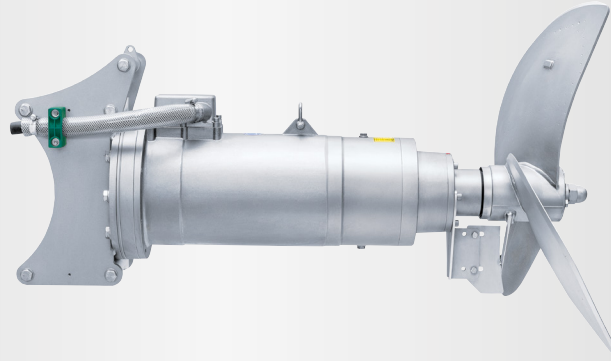


OPTIMIX 3A 250-270



Application

Submersible motor
Dry matter content up to 12 %
Substrate temperature up to 55°C
pH-value 5.5 - 8.2 / Optional ss316: pH-values 4.5 - 8.2

Motor

Motor power: 25 kW
400 V, 50 Hz, special tensions on request
Protection class IP 68, pressure resistant 10 m
PTC thermistors for overheat protection
Separate oil chamber, turbine oil

Gear

Sturdy planetary gear,
Reduction ratio $i = 5.35$
Longlife gear oil
Oil change after 8,000 operating hours

Corrosion protection

Housing and guiding unit in ss304
Optional completely manufactured in ss316

Electric cable

Pressed cable gland, cable standard length 10 m
Cable $4 \times 10 + 4 \times 1 \text{ mm}^2$, $\varnothing 26 \text{ mm}$, shielded
Resistant against biomass microbes
Strain relief 800 N

Propeller

3-blade propeller, dynamically balanced
Optimix 3A | 25 kW | propeller HD+ 900 | 270 rpm
ss304, hardened ss304 or ss316

Guide mast connection

Guide mast support with 4 rollers for smooth height adjustment:
25 kW: 120 / 150 mm square mast
Special sizes on request

Bearing

Bearing flange with mechanical seal SiC/SiC
2 tapered roller bearings to absorb the axial forces
Shaft is hardened steel
Bearing flange with separate oil chamber, Longlife gear oil
Oil change interval every 8,000 operating hours
Accessory: POM protection to minimize abrasion

Ex zone

Authorized for Ex-Zone 2
ATEX-Classification $\text{CE Ex II 3G Ex ec h T3 Gc}$

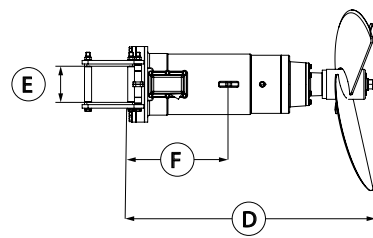
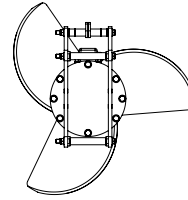
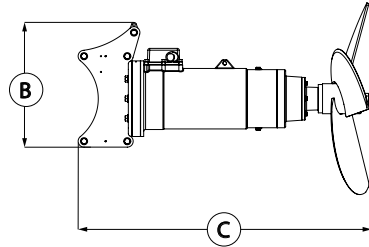
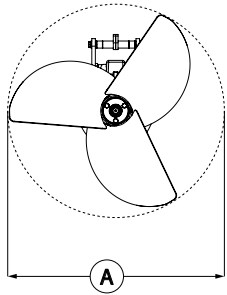
Control box (optional)

Soft start or frequency converter



تلفن تماس: ۸ و ۸۸۳۲۴۹۳۷ - ۰۲۱
E-mail: sales@brp.co.ir

OPTIMIX 3A 250-270



نماینده گری ایران

تلفن تماس: ۸ و ۰۲۱ - ۸۸۳۲۴۹۳۷

E-mail: sales@brp.co.ir

Dimensions / Weight

| Type | A [mm] | B [mm] | C [mm] | D [mm] | E [mm] | F [mm] | Weight approx. [kg] | | | | |
|------------|--------|--------|--------|--------|-----------|--------|---------------------|--|--|--|--|
| 3A 250-270 | 900 | 530 | 1,280 | 1,055 | 150 / 120 | 430 | 260 | | | | |

Technical data

| Type | Rated Power [kW] | Rated Voltage [V] | Full load current [A] | Frequency [Hz] | Power factor cos ϕ | Gear reduction ratio | Propeller speed [rpm] | Propeller diameter [mm] | Axial force [kN] | Flow velocity [m/s] * | Pumping rate [m ³ /min] | Pumping rate [m ³ /h] |
|------------|------------------|-------------------|-----------------------|----------------|-------------------------|----------------------|-----------------------|-------------------------|------------------|-----------------------|------------------------------------|----------------------------------|
| 3A 250-270 | 25 | 400 | 46.1 | 50 | 0.86 | 5.35 | 270 | 900 | 4.5 | 3.6 | 135 | 8.080 |

Subject to technical changes

* measured in water and 1.2 m distance