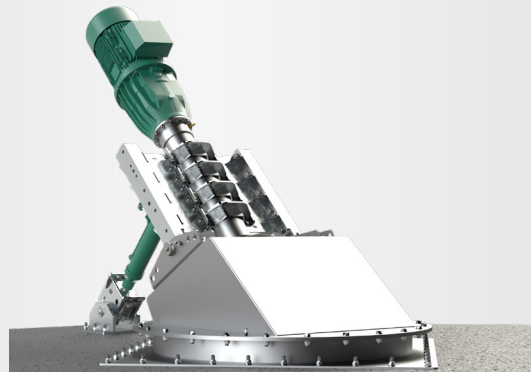


## GIANTMIX FTX TOP MOUNTING FTX 150-135




### Application

Dry matter content up to 15 %  
Substrate temperature up to 70°C  
pH-value 6.5 - 8.5

### Technical data

Tube length 4.0 / 5.0 / 5.5 / 6.0 m  
Tube Ø 159 x 5 mm, ss304 inclusive robust tube within tube technology  
30° sealing plate in ss304 other angles as well as ss316 version on request  
Sound pressure level 75 dB(A)  
Oil inspection glas for monitoring the tightness  
Agitator completely manufactured in modular design  
POM protection to minimize abrasion

### Motor

Motor power: 15.0 kW, 2-poles  
High power factor, IE4  
400 V, 50 Hz, 2,965 rpm, special tensions on request  
PTC thermistors as overheat protection  
Ex-Motor  II 3G Ex nA IIA T3 Gc (ex-zone 2)

### Gear

Robust 2-staged planetary gear, 1st stage helical geared, low noise level  
Reduction ratio  $i = 22.0$   
Longlife gear oil Blasia SX 320  
Oil change after 12,000 operating hours

### Bearing

2 tapered roller bearings to absorb the axial forces  
Mechanical seal SiC/SiC, independent of rotation direction  
Interim slide bearings for the drive shaft



### Propeller

3-blade high efficiency propeller, dynamically balanced  
FTX | 15.0 kW | propeller XT 1200-13 | 135 rpm  
ss304, optional ss316

### Tank openings

1,100 x 1,100 mm

### Ex-zone

Ex-Zone 2 (outside tank) and Zone 1 (inside tank)  
Classification mechanical components:  
  II 2G Ex h IIA T3 Gb

### Control box

Start/Stop operation via soft start provided by the customer  
Optional: frequency converter for speed control and increasing energy efficiency



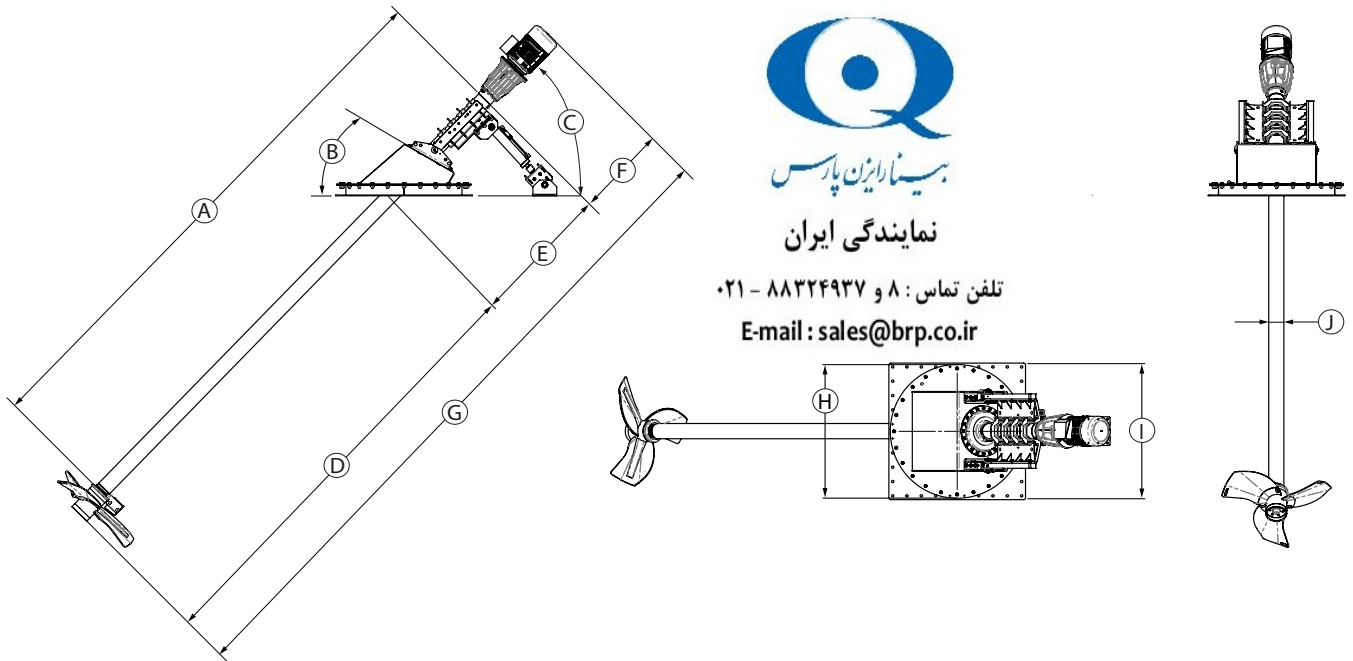
بهنام مهندسی پارس

نمایندگی ایران

تلفن تماس: ۸ و ۸۸۳۲۴۹۳۷ - ۰۲۱

E-mail: sales@brp.co.ir

# GIANTMIX FTX TOP MOUNTING FTX 150-135



## Dimensions

Type	A [mm]	B	C	D [mm]	E [mm]	F [mm]	G [mm]	H [mm]	I [mm]	J [mm]		
FTX 150-135	4.000	30°	max. 60°	2.820	1.500	860	5.020	1.400	1.430	Ø 159		
	- 6.000			- 4.820							- 7.020	

## Technical data

Type	Rated power [kW]	Rated Voltage [V]	Rated current [A]	Frequency [Hz]	Power factor cos φ	Gear reduction ratio	Propeller speed [rpm]	Propeller diameter [mm]	Axial force [kN]	Flow velocity [m/s] *	Pumping rate Water [m³/min]	Weight approximate [kg]
FTX 150-135	15.0	400	27.1	50	0.85	22	135	1,200	6.5	3.4	223	1,100

Subject to technical changes  
\* measured in water and 1.2 m distance

As per: 2022-08