

OPTIMIX 3G 250-270



Application

Submersible motor
Dry matter content up to 12 %
Substrate temperature up to 55°C
pH-values 6.5 - 8.2

Motor

Motor power: 25.0 kW
400 V, 50 Hz, Special tensions on request
Protection class IP 68, up to 10 m submergence
PTC thermistors (for thermal protection)
High power factor $\cos \phi$ 0.84
Separat oil chamber, turbine oil

Gear

Flange mounted planetary gear,
Reduction ratio $i = 5.35$
Longlife gear oil
Oil change after 8,000 operating hours

Corrosion protection

Ductile cast iron housing (GGG40)
Agitator has an two component epoxy coating
Agitator is galvanically isolated from the guide mast

Cable

Pressed cable gland, cable standard length 10 m
Cable $4 \times 10 + 4 \times 1 \text{ mm}^2$, $\varnothing 26 \text{ mm}$,
Resistant against biomass
Strain relief 800 N

Propeller

3-blade high efficiency propeller, dynamically balanced
Optimix 3G | 25 kW | propeller HD+ 900 | 270 rpm
Hardened steel or ss304

Guide mast connection

Guide mast support with 4 rollers for smooth height adjustment:
25 kW: 120 / 150 mm square mast

Bearing

Bearing flange with mechanical seal SiC/SiC
2 Tapered roller bearings to absorb the axial thrust
Shaft $\varnothing 45 \text{ mm}$
Separat oil chamber, Longlife gear oil
Accessory: POM protection to minimize abrasion

Ex zone

Authorized for Ex-Zone 2
ATEX Classification $\text{CE} \text{ II } 3\text{G Ex ec h IIA T3 Gc}$

Control switch (optional)

Soft start or frequency converter



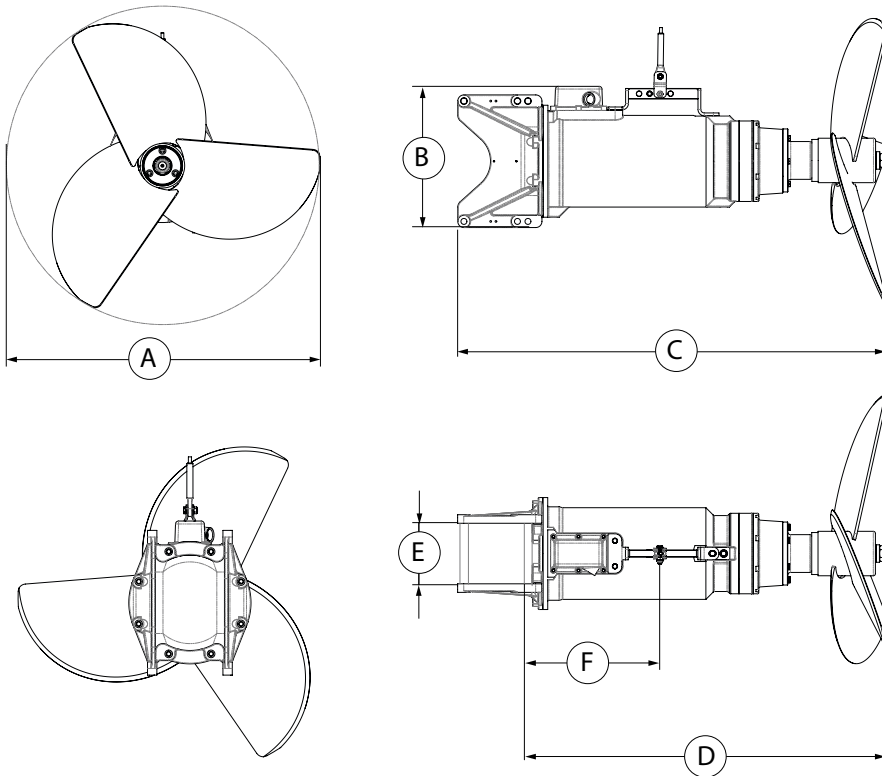
بیمتانازین پاس

نمایندگی ایران

تلفن تماس: ۸ و ۸۸۳۲۴۹۳۷ - ۰۲۱

E-mail: sales@brp.co.ir

OPTIMIX 3G 250-270



نمایندگی ایران

تلفن تماس: ۸ و ۸۸۳۲۴۹۳۷ - ۰۲۱

E-mail: sales@brp.co.ir

Dimensions / Weight

Type	A [mm]	B [mm]	C max. [mm]	D [mm]	E [mm]	F [mm]	Weight approx. [kg]
3G 250-270	900	400	1,280	1,100	150 (120)	370	260

Technical data

Type	Rated Power [kW]	Rated Voltage [V]	Full load current [A]	Frequency [Hz]	Power factor cos ϕ	Gear reduction ratio	Propeller speed [rpm]	Propeller diameter [mm]	Axial force [kN]	Flow velocity [m/s] *	Pumping rate [m ³ /min]	Pumping rate [m ³ /h]
3G 250-270	25.0	400	46.1	50	0.86	5.35	270	900	4.5	3.6	135	8.080

Subject to technical changes

* measured in water and 1.2 m distance