

GIANTMIX MZR LAGOON

MZR4 150-400

MZR5 185-400

Application

Long-axis agitator for open lagoons

Bearing

Two tapered roller bearings to absorb the axial forces
Shaft seal ring, optional: mechanical seal of SiC/SiC
Interim bearings for the drive shaft

Technical data

Tube length 7.0 m
Agitator tube \varnothing 121 x 4 mm, galvanized
pH-value: 6.5 - 8.2
Stabilisation tube
Swivel device 360° horizontally
Vertical adjustment with a robust pinion rack
Agitator completely in modular design

Propeller

Three-blade high efficiency propeller, dynamically balanced

MZR4	15.0 kW	propeller HD+660	400 rpm
MZR5	18.5 kW	propeller HD+700	400 rpm

Galvanized, hardened steel or ss304

Motor

Motor power: 15 / 18.5 kW : 4-poles (IE3-motors)
400 V, 50 Hz, 1,470 rpm
PTC thermistors as overheat protection

Control box (optional)

Star-delta switch or soft start
(MZR5 only possible with soft start)

Gear

Spur gear drive, helical teeth, low noise level
Reduction ratio $i = 3.69$
Oil chamber, gear oil SAE85W-140 / API GL-5



بسیار ایزین پارس

نماینده گی ایران

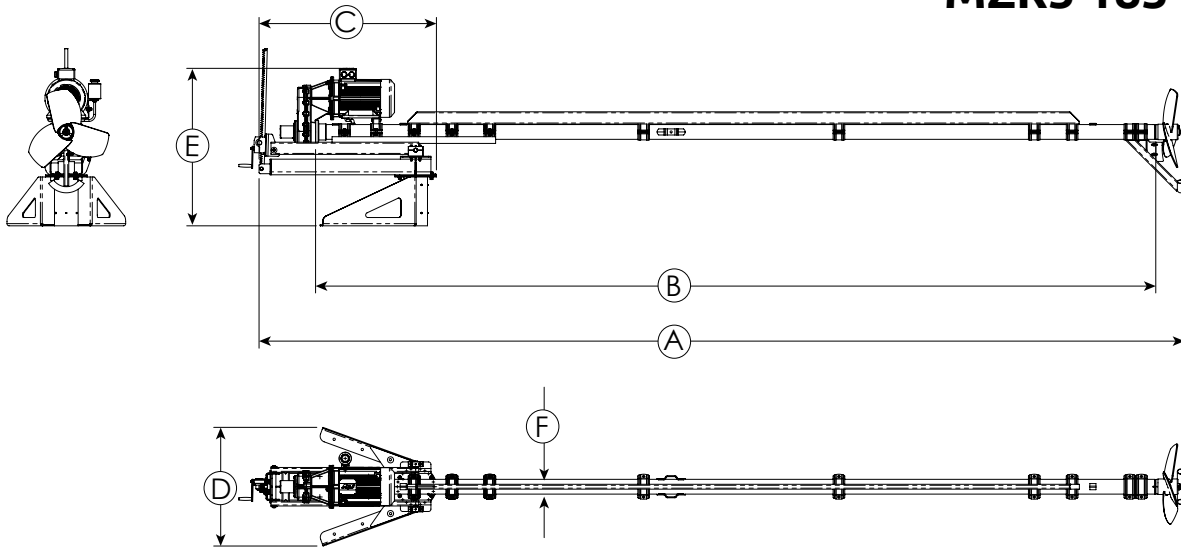
تلفن تماس: ۸ و ۰۲۱ - ۸۸۳۲۴۹۳۷

E-mail: sales@brp.co.ir

GIANTMIX MZR LAGOON

MZR4 150-400

MZR5 185-400



Dimensions

Type	A [mm]	B [mm]	C [mm]	D [mm]	E [mm]	F [mm]						
MZR 4	7,580	6,880	1,450	970	1,290	Ø 121						
MZR 5												

Technical data

Type	Rated Power [kW]	Rated Voltage [V]	Rated current [A]	Frequency [Hz]	Power factor cos ϕ	Gear reduction ratio	Propeller speed [rpm]	Propeller diameter [mm]	Axial force [kN]	Flow velocity [m/s] *	Pumping rate Water [m ³ /min]	Weight approximate [kg]
MZR 4	15.0	400	28.3	50	0.83	3.69	400	660	3.3	4.3	84	570
MZR 5	18.5	400	33.7	50	0.85	3.69	400	700	3.9	4.3	94	570

Subject to technical changes

* measured in water and 1.2 m distance



سازمان تحقیقات ماشین‌آلات کشاورزی
نمایندگی ایران

تلفن تماس: ۸ و ۸۸۳۲۴۹۳۷ - ۲۱

E-mail : sales@brp.co.ir

4A Rührtechnik GmbH | Martinszeller Str. 21 | DE-87477 Sulzberg
49 8376 / 92131 - 0 | Fax: - 19 | info@suma.de | www.suma.de/en

As per: 2023-07