



OPTIMIX ECO 75-1450 MOBILE



سینا ماشین پارسی

نماینده گی ایران

تلفن تماس : ۸ و ۸۸۳۲۴۹۳۷ - ۰۲۱

E-mail : sales@brp.co.ir

Application

Mobile submersible motor for closed manure tanks up to 3.5 m depth
Dry matter content up to 10 %
Substrate temperature up to 55°C
pH-value 6.5 - 8.2

Propeller

2-blades

Optimix ECO | 7.5 kW | L3 (300 mm) | 1,450 rpm
Galvanized or ss304

Motor

Motor power: 7.5 kW
400 V, 50 Hz, special tensions on request
Protection class IP 68, up to 10 m submergence
PTC thermistors for thermal protection
High power factor $\cos \phi$ 0.81
Separat oil chamber, turbine oil

Trolley

Standard (1,000 mm) / Narrow (570 mm width)
Optional: telescopic version for limited roof height
Configuration on request

Bearing

Bearing flange with mechanical seal of SiC/SiC
2 tapered roller bearings to absorb to axial forces
Bearing flange with separat oil chamber
Longlife gear oil
Oil change interval after 4,000 operating hours

Corrosion protection

Agitator has an two component epoxy coating

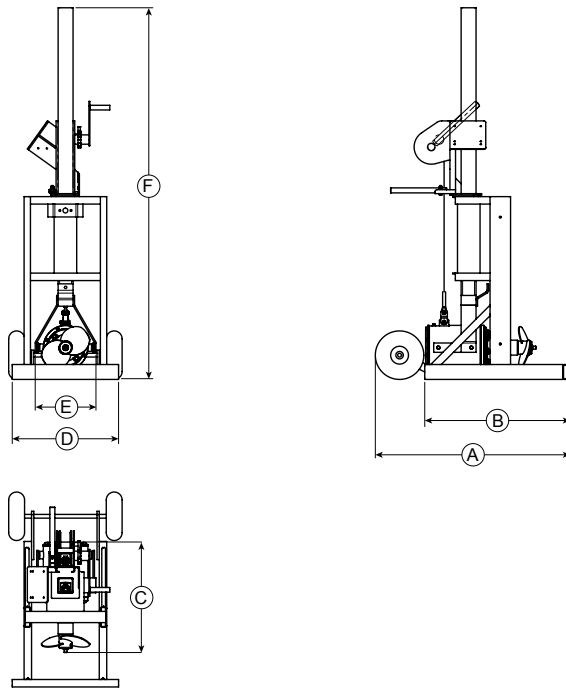
Control box

Star-delta-switch (32A)

Cable

Pressed cable gland,
Cable 7 x 4 + 4 x 1.5 mm², Ø 20 mm,
Resistant against biomass
Strain relief 800 N

OPTIMIX ECO 75-1450 MOBILE



بیمارآزمین پارس

نمایندگی ایران

تلفن تماس: ۸ و ۸۸۳۲۴۹۳۷ - ۰۲۱

E-mail: sales@brp.co.ir

Dimensions / Weight

Type	A [mm]	B [mm]	C [mm]	D [mm]	E [mm]	F [mm]	Weight approx. [kg]
ECO 75-1450	1,045	780	591	570	326	2,030 - 5,330	195 - 225
ECO 75-1450 telescope	1,045	780	591	570	326	1,680 - 3,450	195 - 250

Technical data

Type	Rated Power [kW]	Rated Voltage [V]	Rated Current [A]	Frequency [Hz]	Power factor cos ϕ	Propeller speed [rpm]	Propeller diameter [mm]	Axial force [N]	Flow velocity [m/s] *	Pumping rate Water [m ³ /min]	Pumping rate Water [m ³ /h]
ECO 75-1450	7.5	400	15.4	50	0.81	1,450	300	1.15	5.7	23	1,390

Subject to technical changes

* measured in water and 1.2 m distance