



## OPTIMIX

**2A 8-720**

**2A 15-720**

**2A 22-720**



### Application

Submersible motor  
Dry matter content up to 4 %  
Substrate temperature up to 55°C  
pH-value 5.5 - 8.2

### Propeller

3-blade high efficiency propeller, dynamically balanced, self-cleaning

Optimix 2A	0.8 kW	propeller LD 250 S	738 rpm
Optimix 2A	1.5 kW	propeller LD 320 S	728 rpm
Optimix 2A	2.2 kW	propeller LD 340 S	714 rpm

ss304, hardened ss304 or ss316

### Motor

Motor power: 0.8 / 1.5 / 2.0 kW, 8-poles  
230 / 400 V, 50 Hz, special tension on request  
Protection class IP 68, up to 10 m submergence  
PTC thermistors for overheat protection  
High efficiency class  
Own oil circulation, turbine oil

### Guide mast connection

Guide mast support with 4 rollers for smooth height adjustment:  
60 / 80 mm square mast  
Special sizes on request

### Bearing

Bearing flange with mechanical seal of SiC/SiC  
Shaft of ss304  
Bearing flange with separate oil chamber  
Longlife oil  
Accessory: POM protection to minimize abrasion

### Corrosion protection

Guiding unit of ss304

### Ex zone

Authorized for Ex-Zone 2  
ATEX Classification **CE** **Ex** II 3G Ex ec h IIA T3 Gc

### Electric cable

Standard length 10 m, with pressed-on cable gland  
Microbe resistant cable 4 x 2.5 + 2 x 1 mm<sup>2</sup>, Ø 20 mm  
Strain relief 800 N



بیسارایزن پارس

نمایندگی ایران

تلفن تماس : ۸ و ۸۸۳۲۴۹۳۷ - ۰۲۱

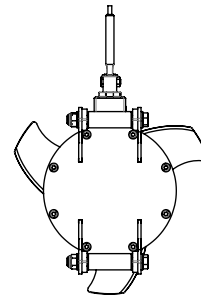
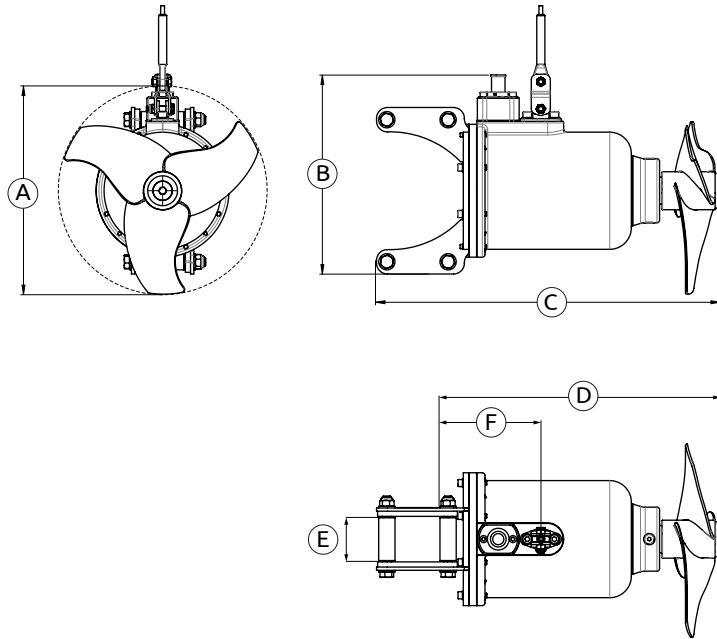
E-mail : sales@brp.co.ir

## OPTIMIX

2A 8-720

2A 15-720

2A 22-720



بیسارزین پارس

نماینده ایران

تلفن تماس : ۸ و ۸۸۳۲۴۹۳۷ - ۰۲۱

E-mail : sales@brp.co.ir

### Dimensions / Weight

Type	A [∅ in mm]	B [mm]	C [mm]	D [mm]	E [mm]	F [mm]	Weight approx. [kg]			
2A 8-720	250	370	635	506	60 / 80	196	75			
2A 15-720	320	370	635	506	60 / 80	196	75			
2A 22-720	380	370	635	506	60 / 80	196	75			

### Technical data

Type	Rated Power [kW]	Rated Voltage [V]	Full load current [A]	Frequency [Hz]	Power factor cos φ	Propeller speed [rpm]	Propeller diameter [mm]	Axial force [kN]	Flow velocity [m/s] *	Pumping rate [m <sup>3</sup> /min]	Pumping rate [m <sup>3</sup> /h]
2A 8-720	0.8	400	3.95	50	0.37	738	250	0.24	2.55	7	420
2A 15-720	1.5	400	4.7	50	0.56	728	320	0.43	2.92	13	800
2A 22-720	2.2	400	5.9	50	0.68	714	340	0.50	3.15	16	950

Subject to technical changes

\* measured in water and 1.2 m distance