

OPTIMIX 3G 100-135



Application

Submersible motor
Dry matter content up to 12 %
Substrate temperature up to 55°C
pH-value 6.5 - 8.2

Motor

Motor power: 10.0 kW, 8-poles
400 V, 50 Hz, Special voltages on request
Protection class IP 68, up to 10 m submergence
PTC 130°C thermistors (for thermal protection)
Separate oil chamber, turbine oil

Gear

Flange mounted planetary gear
Reduction ratio $i = 5.35$
Longlife gear oil
Oil change after 8,000 operating hours

Corrosion protection

Ductile cast iron housing (GGG40)
Agitator has an two component epoxy coating
Agitator is galvanically isolated from the guide mast

Cable

Pressed cable gland, cable standard length 10 m
Cable 4 x 10 + 4 x 1 mm², Ø 26 mm,
Resistant against biomass
Strain relief 800 N

Propeller

3-blade high efficiency propeller, dynamically balanced
Optimix 3G | 10 kW | propeller XT 1200-12 | 135 rpm
Hardened steel or ss304

Guide mast connection

Guide mast support with 4 rollers for smooth height adjustment: 10 kW: 120 / 150 mm square mast

Bearing

Bearing flange with mechanical seal SiC/SiC
2 Tapered roller bearings to absorb the axial thrust
Shaft Ø 45 mm
Separate oil chamber, Longlife gear oil
POM protection to minimize abrasion

Ex zone

Authorized for Ex-Zone 2
ATEX Classification **CE** **Ex** II 3G Ex ec h IIA T3 Gc

Control switch

Requirement on site: Frequency converter is absolutely necessary
Soft start only after consulting SUMA Rührtechnik GmbH



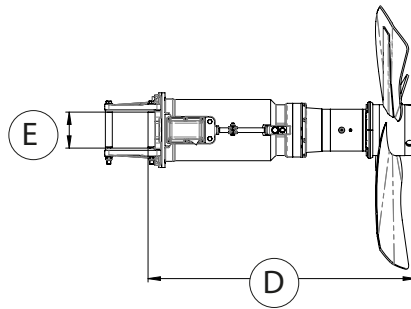
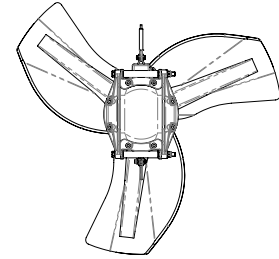
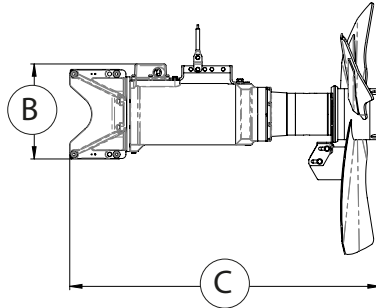
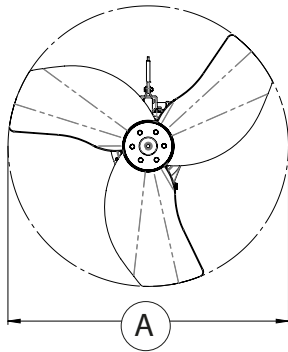
بیمتازین پارس

نمایندگی ایران

تلفن تماس: ۸ و ۸۸۳۲۴۹۳۷ - ۰۲۱

E-mail: sales@brp.co.ir

OPTIMIX 3G 100-135



Dimensions / Weight

Type	A [mm]	B [mm]	C max. [mm]	D [mm]	E [mm]	Weight approx. [kg]
3G 100-135	1,200	407	1,328	1,144	150	310

Technical data

Type	Rated Power [kW]	Rated Voltage [V]	Full load current [A]	Frequency [Hz]	Power factor cos ϕ	Gear reduction ratio	Propeller speed [rpm]	Propeller diameter [mm]	Axial force [kN]	Flow velocity [m/s] *	Pumping rate [m ³ /min]	Pumping rate [m ³ /h]
3G 100-135	10.0	400	30.2	50	0.58	5.35	135	1,200	4.8	3.5	230	13.780

Subject to technical changes

* measured in water and 1.2 m distance



نمایندگی ایران

As per: 2021-03

تلفن تماس: ۸ و ۸۸۲۴۹۳۷ - ۰۲۱

E-mail : sales@brp.co.ir

© SUMA Rührtechnik GmbH | Martinszeller Str. 21 | DE-87477 Sulzberg
Tel: +49 8376 / 92131 - 0 | Fax: - 19 | info@suma.de | www.suma.de/en