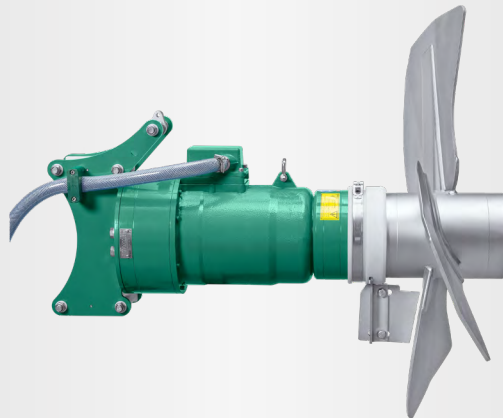


OPTIMIX 4G 150-135



Application

Submersible motor
Dry matter content up to 14 %
Substrate temperature up to 55 °C
pH-value 6.5 - 8.2

Motor

Motor power: 15.0 kW, 2-poles
400 V, 50 Hz, special voltage on request
Protection class IP 68, up to 10 m submergence
PTC thermistors for thermal protection
High power factor, IE4
Separate oil chamber, turbine oil

Gear / Bearing

Robust 2-staged planetary gear
Reduction ratio $i = 21.7$
Separat oil chamber (2.1 liter), Longlife gear oil
Oil change interval after 8,000 operating hours
Mechanical seal SiC/SiC
POM protection to minimize abrasion

Electric Cable

Pressed cable gland
Cable $7 \times 4 + 4 \times 1,5 \text{ mm}^2$, $\varnothing 20 \text{ mm}$,
Resistant against biomass microbes
Strain relief 800 N

Ex-Zone

Authorized for Ex-Zone 2
ATEX Classification $\text{CE } \text{II } 3\text{G Ex ec h IIA T3 Gc}$

Propeller

3-blade high efficiency propeller, dynamically balanced
Optimix 4G | 15 kW | propeller XT 1200-13 | 135 rpm
Hardened steel, ss304 or galvanized

Guide mast connection

Guide mast support with 4 rollers for smooth height adjustment:
Square mast 150 x 150 mm
Special sizes on request

Corrosion protection

Ductile cast iron housing (GGG40)
Two component epoxy coating
Agitator is galvanically isolated from the guide mast

Recommended accessory:
Cathodic corrosion protection (ccp) to prevent corrosive damage

Control box

Start/Stop operation via soft start provided by the customer
Optional: frequency converter for speed control and increasing energy efficiency



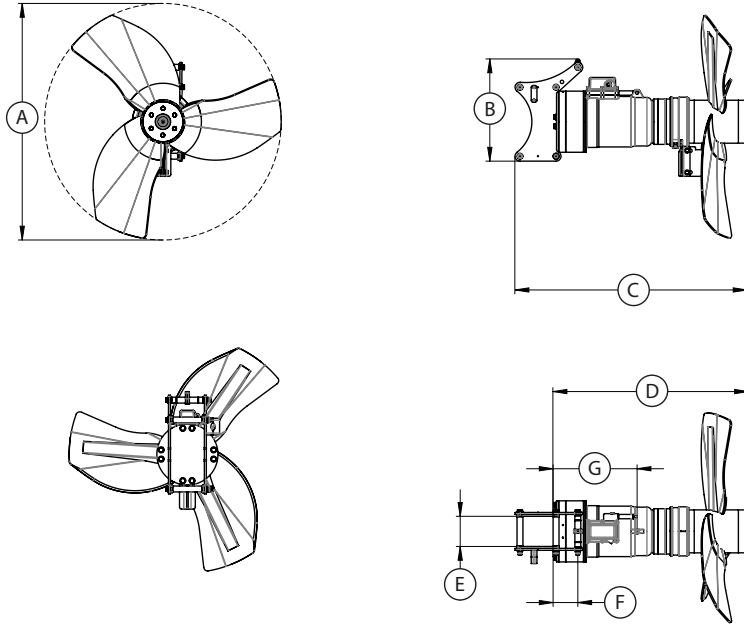
بیینارزین پارس

نمایندگی ایران

تلفن تماس : ۸ و ۰۲۱ - ۸۸۳۲۴۹۳۷

E-mail : sales@brp.co.ir

OPTIMIX 4G 150-135



Dimensions / Weight

Type	A [mm]	B [mm]	C [mm]	D [mm]	E [mm]	F [mm]	G [mm]	Weight approx. [kg]
4G 150-135	1,200	525	1,150	985	150	125	425	300

Technical data

Type	Rated power [kW]	Rated voltage [V]	Rated current [A]	Frequency [Hz]	Power factor $\cos \phi$	Gear reduction ratio	Propeller speed [rpm]	Propeller diameter [mm]	Axial force [kN]	Flow velocity [m/s] *	Pumping rate water [m ³ /min]	Pumping rate water [m ³ /h]
4G 150-135	15	400	27.7	50	0.83	21.7	135	1,200	6.5	3.4	223	13,390

Subject to technical changes

* measured in water and 1.2 m distance



نمایندگی ایران

As per: 2023-04

تلفن تماس: ۸ و ۰۲۱ - ۸۸۳۲۴۹۳۷

E-mail: sales@brp.co.ir

© SUMA Rührtechnik GmbH | Martinszeller Str. 21 | DE-87477 Sulzberg
Phone: +49 8376 / 92131 - 0 | Fax: - 19 | info@suma.de | www.suma.de/en