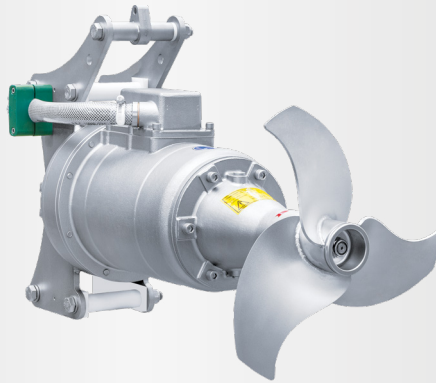


OPTIMIX

2A 30-710

2A 40-950



Application

Submersible motor
 Dry matter content up to 8 %
 Substrate temperature up to 55°C
 pH-value 5.5 - 8.2 / optional ss316: pH-value 4.5 - 8.2

Motor

Motor power: 3.0 kW, 4.0 kW
 400 V, 50 Hz, special tension on request
 Protection class IP 68, up to 10 m submergence
 PTC thermistors for overheat protection
 Own oil circulation, turbine oil

Bearing

Bearing flange with mechanical seal of SiC/SiC
 Two tapered roller bearings to absorb the axial forces
 Shaft of ss304 / optional ss316
 Bearing flange with separate oil chamber
 Oil longlife

Ex zone (tube and bearing)

Authorized for Ex-Zone 2
 ATEX Classification **CE**  II 3G Ex ec h IIA T3 Gc

Propeller

3-blade high efficiency propeller, dynamically balanced

Optimix 2A	3.0 kW	propeller LD 380	710 rpm
Optimix 2A	4.0 kW	propeller LD 310	950 rpm

Galvanized, hardened steel, ss304 or hardened ss304

Guide mast connection

Guide mast support with 4 rollers for smooth height adjustment:
 80 / 100 / 120 mm square mast
 Special sizes on request

Corrosion protection

Guiding unit of ss304
 Optional completely of ss316

Electric cable

Standard length 10 m, with pressed-on cable gland
 Microbe resistant cable 4 x 2.5 + 2 x 1 mm², Ø 20 mm
 Strain relief 800 N

Control box (optional)

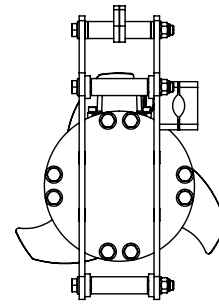
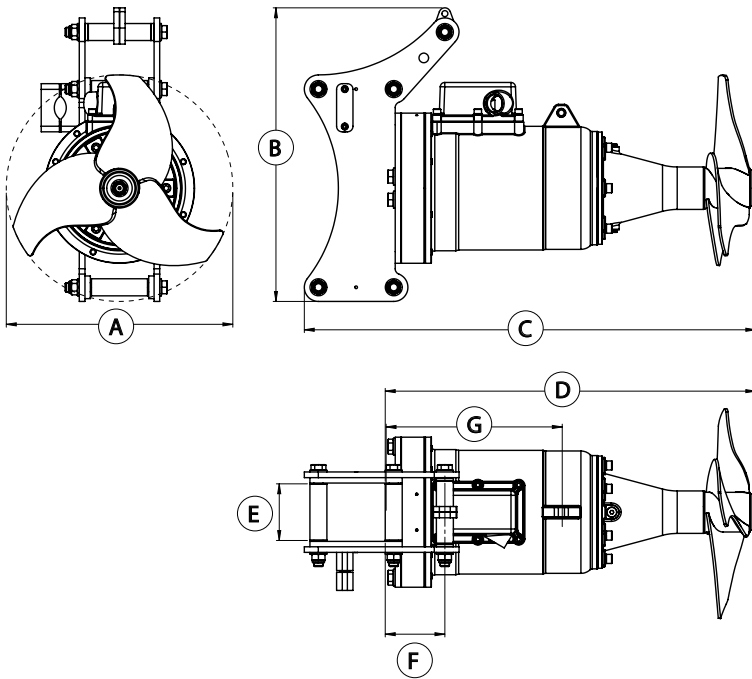
soft start or frequency converter



OPTIMIX

2A 30-710

2A 40-950



نمایندگی ایران

تلفن تماس: ۸ و ۸۸۳۲۴۹۲۷ - ۰۲۱

E-mail: sales@brp.co.ir

Dimensions / Weight

Type	A [∅ in mm]	B [mm]	C [mm]	D [mm]	E [mm]	F [mm]	G [mm]	Weight approx. [kg]
2A 30-710	380	520	800	650	80 / 100 / 120	105	310	150
2A 40-950	310	520	800	650	80 / 100 / 120	105	310	150

Technical data

Type	Rated Power [kW]	Rated Voltage [V]	Full load current [A]	Frequency [Hz]	Power factor cos φ	Propeller speed [rpm]	Propeller diameter [mm]	Axial force [kN]	Flow velocity [m/s] *	Pumping rate [m ³ /min]	Pumping rate [m ³ /h]
2A 30-710	3.0	400	7.8	50	0.68	710	380	0.7	3.6	24	1,420
2A 40-950	4.0	400	8.6	50	0.79	950	310	0.7	3.0	13	770

Subject to technical changes

* measured in water and 1.2 m distance